

WFD Series Waterflow Detector



The System Sensor WFD Series vane-type waterflow detector, with a computer designed paddle, fits Schedule 10 through Schedule 40 steel pipe sizes 2" through 8" . The design of this unit makes it easy to install and simple to maintain. It can be mounted in a vertical or horizontal position and is suitable for indoor and UL-listed outdoor wte-pipe sprinkler installations. Switch assembly and delay mechanism assembly are field replaceable. Advanced features include:

Sealed Retard

Assures that the adjustable retard is not contaminated by dust and dirt when the cover is removed.

Visual Switch Activation

Permits installer to accurately set the retard even under extremely noisy conditions.

Mechanical Delay Adjustment

The pneumatic delay is preset at dial setting 2 in the factory. To adjust the delay, move the adjustment dial to the desired number.

Rugged Switch Assembly

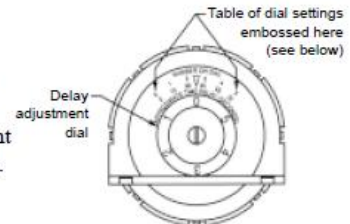
Switches are enclosed in a durable terminal block for added strength. Accommodates up to 12 AWG wire.

100% Synchronization

Activates both alarm panel and local bell at the same time.

Durable Tamper Resistant Enclosure

Red epoxy painted metal cover completely encloses the electrical components to keep out dust and dirt. Improved self-guiding security screws and removal tool make detector resistant to tampering; wiring diagram inside cover simplifies field maintenance.



Dial setting	0	1	2	3	4	5	6
Delay (seconds)	0	15	30	45	65	70	

Specifications

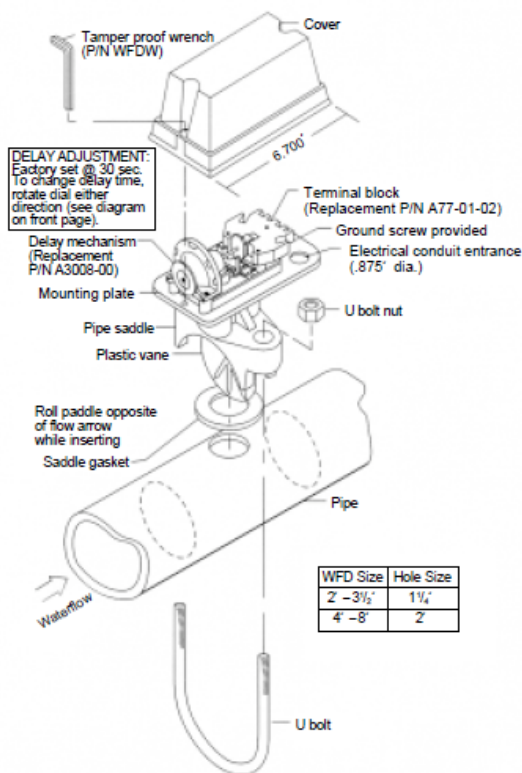
Static Pressure Rating:	250 PSI (Max.)
Triggering Threshold	
Bandwidth (Flow Rate):	4-10 GPM
Maximum Surge:	18 FPS
Compatible Pipe:	Steel water pipe, schedule 10 through 40
Contact Ratings:	Two sets of S.P.D.T. (Form C) 10.0 A @ 125/250 VAC 2.5 A @ 24 VDC
Overall Dimensions:	See figure on back
Conduit Entrances:	Two openings for 1/2" conduit
Operating Temperature Range:	32] to 120] (0 葷 to 49 葷)
Sizes Available:	For schedules 10 through 40, sizes 2 through 8"

Cover Tamper Switch:	Optional model 546-7000
Shipping Weight:	Varies, 3-7 lbs., according to size
Service Use:	
Automatic Sprinkler:	NFPA 13
One or Two Family Dwelling:	NFPA 13D
Residential Occupancies up to 4 Stories:	NFPA 13R
National Fire Alarm Code:	NFPA 72
Warranty:	3 years

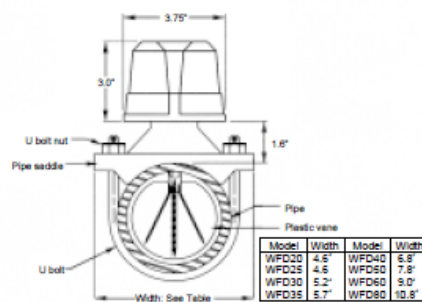


This document is not intended to be used for installation purposes.

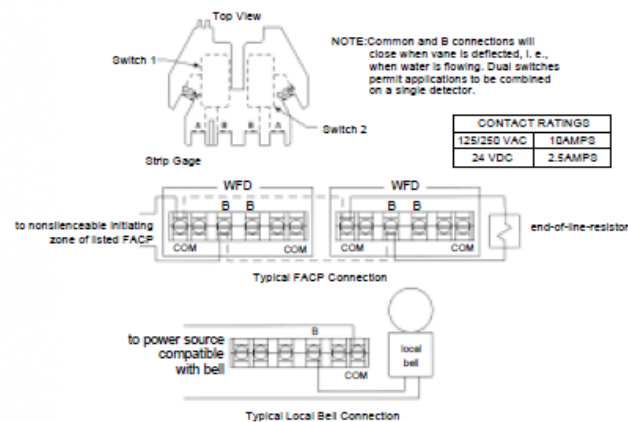
A06-180-01C



WFD Assembly Diagram



WFD Dimensions



WFD Field wiring Diagram

Engineer/Architect Specifications: WFD Waterflow Detectors

Vane-type waterflow detectors shall be installed on system piping as designated on the drawings and/or as specified herein. Detectors shall mount on any clear pipe span of the appropriate nominal size, either a vertical upflow or horizontal run, at least 6" from any fittings which may change water direction, flow rate, or pipe diameter or no closer than 24" from a valve or drain. Detectors shall have a sensitivity in the range of 4 to 10 gallons per minute and a static pressure rating of 250 psi for 2" - 8" pipes. The detector shall respond to waterflow in the specified direction after a preset time delay which is field adjustable. The delay

mechanism shall be a sealed mechanical pneumatic unit with visual indication of actuation. The actuation mechanism shall include a polyethylene vane inserted through a hole in the pipe and connected by a mechanical linkage to the delay mechanism. Outputs shall consist of dual SPDT switches (form C contacts). Two conduit entrances (one of which is a knockout type) for standard fittings of commonly used electrical conduit shall be provided on the detectors. A grounding provision is provided. All detectors shall be listed by Underwriters Laboratories for indoor or outdoor use.

Ordering Information

WFD20	Waterflow Detector, Schedule 10/40, 2" (50mm)
WFD25	Waterflow Detector, Schedule 10/40, 2 1/2" (65mm)
WFD30	Waterflow Detector, Schedule 10/40, 3" (80mm)
WFD35	Waterflow Detector, Schedule 10/40, 3 1/2"
WFD40	Waterflow Detector, Schedule 10/40, 4" (100mm)
WFD50	Waterflow Detector, Schedule 10/40, 5"
WFD60	Waterflow Detector, Schedule 10/40, 6" (150mm)
WFD80	Waterflow Detector, Schedule 10/40, 8" (200mm)
A3008-00	Replacement Delay Mechanism for WFD 2" - 8" sizes

A77-01-02	Replacement Terminal Block for WFD
546-7000	Cover Tamper Switch Kit for WFD
S07-66-02	Replacement Tamper Screws for Cover of WFD
WFDW	Replacement Tamper Proof Wrench for Cover of WFD
C58-164-01	Replacement Metal Cover
WFDN4	NEMA4 Gasket Kit
<i>*ULC version designated with "A" following the model number and factory installed with cover tamper switch.</i>	



188- Linghi Chetty Street, Chennai - 600 001

Telefax: 2522 4108, 2524 3336, 4216 0108

E-mail : sales@hussainenterprise.in, info@hussainenterprise.in

www.hussainenterprise.in